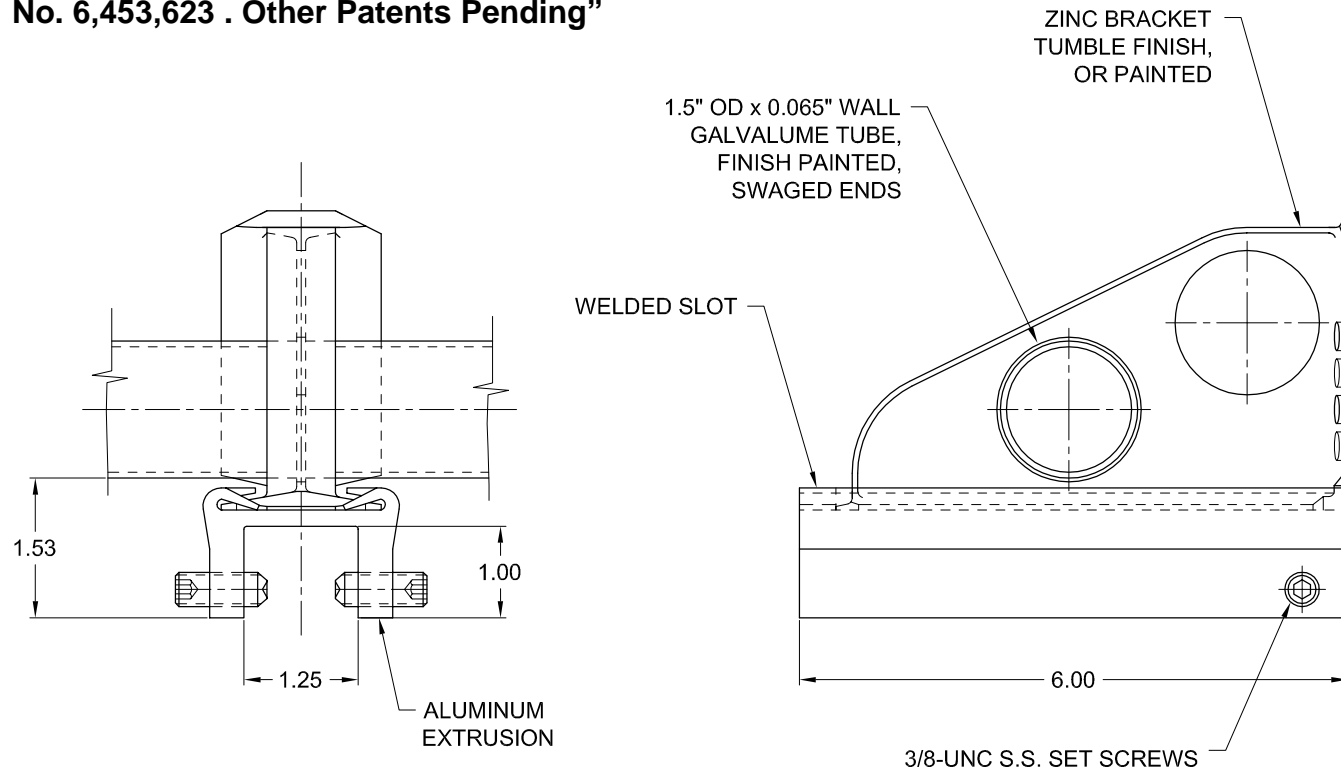


BRACKET SPACING [in]	12	15	18	20	22	24	26	28	30	32	36	42	48
LOAD CAPACITY [lb]	1212	970	808	727	661	606	560	519	485	454	404	346	303
NO. OF SET SCR. PAIRS	2	2	1	1	1	1	1	1	1	1	1	1	1

Roofers World Inc.

“USA Patent No. 6,453,623 . Other Patents Pending”



## SNOSTOP SMA-SS-TL



DRWN BY	J. KRUPKA	DATE	26 MAR 2003	<b>SNOSTOP</b>	
APPD BY		TITLE			
SIGNATURE		DATE		TITLE	
STANDARD		MATERIAL		SMA-SS-TL	
UNLESS OTHERWISE SPECIFIED, ALL DIMENSIONS ARE IN INCHES.				SINGLE TUBE NON-PENETRATING SYSTEM	
DECIMALS	ANGLES	HOLES	SIZE	DWG NO.	ISSUE
.X ±			A	M0271	A
.XX ±	±	±	SCALE	JOB REF.	SHEET
.XXX ±			NTS	-	1/1