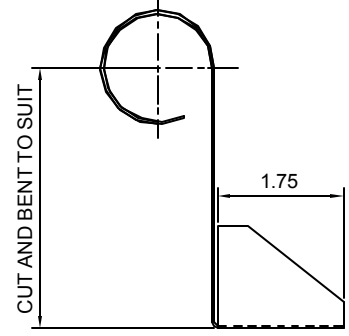
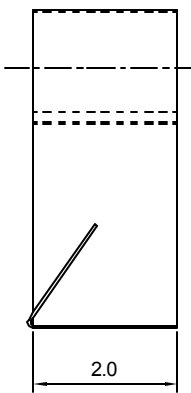


ICE DAM ON TUBE
PLACED BETWEEN BRACKETS



ICE DAM
20GA GALVANIZED SHT. METAL

Roofers World Inc.
"USA Patent No. 6,453,623 . Other Patents Pending"

DRWN BY J. KRUPKA	DATE 13 MARCH 2003	SNOSTOP		
APPO BY	TITLE			
SIGNATURE	DATE	TITLE ICE DAM		
STANDARD	MATERIAL	QUADRUPLE TUBE PENETRATING SYSTEM		
UNLESS OTHERWISE SPECIFIED, ALL DIMENSIONS ARE IN INCHES.		SIZE A	DWG NO. M0268	ISSUE A
DECIMALS .X ± .XX ± .XXX ±	ANGLES ±	HOLES ±	SCALE NTS	JOB REF. SHEET 1/1

