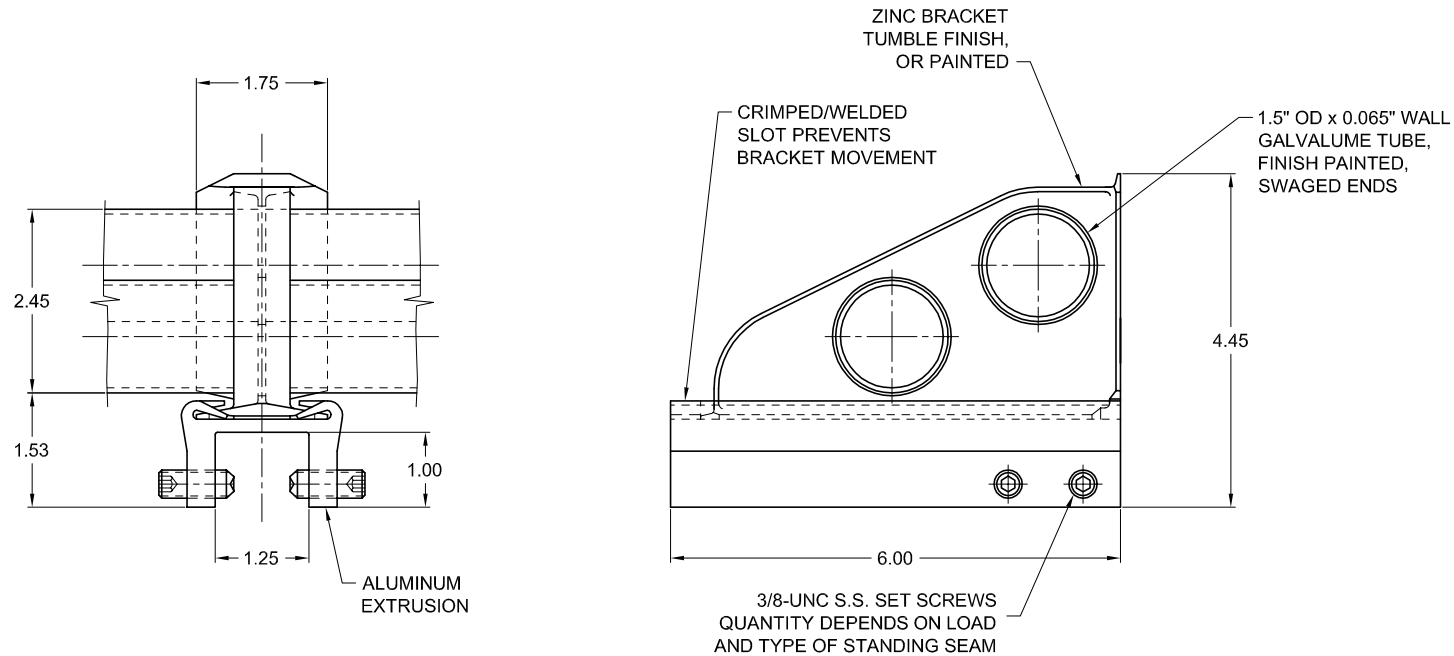


BRACKET SPACING [in]	12	15	18	20	22	24	26	28	30	32	36	42	48
LOAD CAPACITY [lb]	2350	1940	1616	1454	1322	1212	1120	1038	970	908	808	692	606
NO. OF SET SCR. PAIRS	3	3	2	1	2	2	2	2	2	2	1	1	1



# SNOSTOP SMA-SS-2T

Roofers World Inc.

**“USA Patent No. 6,453,623 . Other Patents Pending”**

DRWN BY J. KRUPKA	DATE 30 OCT 2002	<b><i>SNOSTOP</i></b>	
APPD BY	TITLE		
SIGNATURE	DATE	TITLE SMA-SS-2T DOUBLE TUBE NON-PENETRATING SYSTEM	
STANDARD	MATERIAL		
UNLESS OTHERWISE SPECIFIED, ALL DIMENSIONS ARE IN INCHES.			
DECIMALS .X ± .XX ± .XXX ±	ANGLES ±	HOLES ±	SIZE A
SCALE NTS		DWG NO. M0264	ISSUE A
		JOB REF. -	SHEET 1/1

