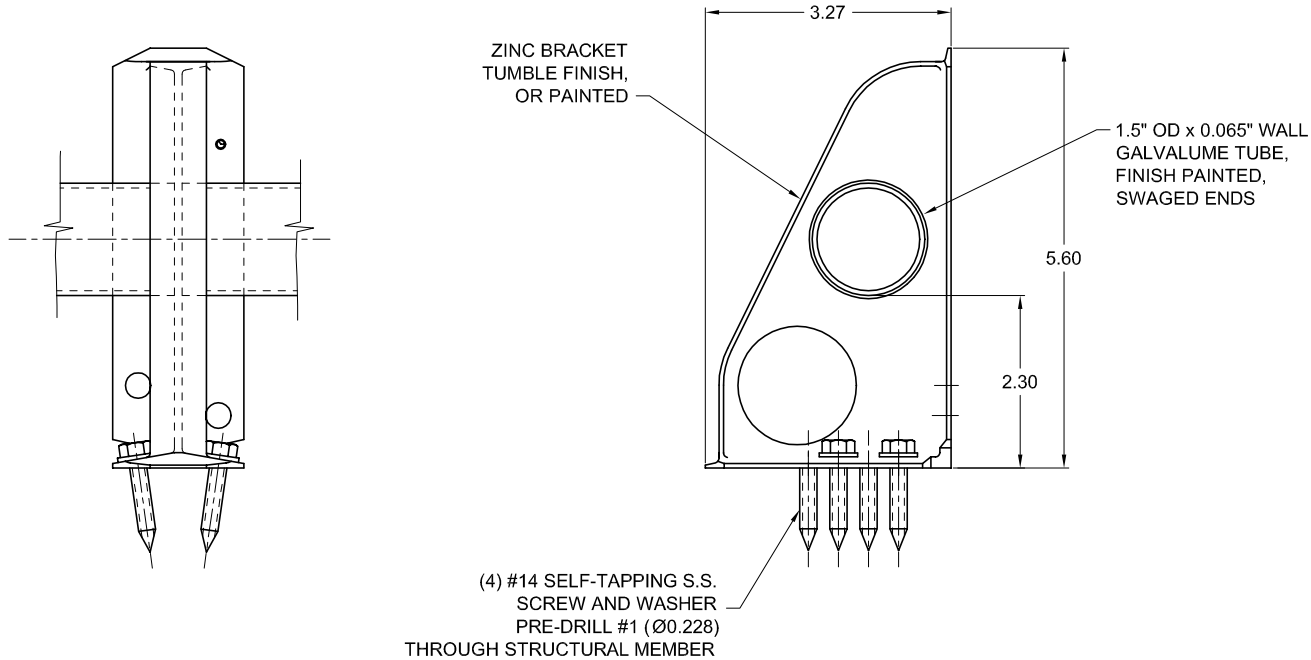


BRACKET SPACING [in]	12	15	18	20	22	24	26	28	30	32	36	42	48
LOAD CAPACITY [lb]	850	850	808	727	661	606	560	519	485	454	404	346	303



(4) #14 SELF-TAPPING S.S. SCREW AND WASHER PRE-DRILL #1 (Ø0.228) THROUGH STRUCTURAL MEMBER

## SNOSTOP SMB-1T

Roofers World Inc.

“USA Patent No. 6,453,623 . Other Patents Pending”

DRWN BY J. KRUPKA	DATE 7 FEB 2002	<b><i>SNOSTOP</i></b>		
APPD BY	TITLE			
SIGNATURE	DATE	TITLE SMB-1T SINGLE FENCE PENETRATING SYSTEM		
STANDARD	MATERIAL			
UNLESS OTHERWISE SPECIFIED, ALL DIMENSIONS ARE IN INCHES.		SIZE A	DWG NO. M0265	ISSUE A
DECIMALS .X ± .XX ± .XXX ±	ANGLES ±	HOLES ±	SCALE NTS	JOB REF. - SHEET 1/1

