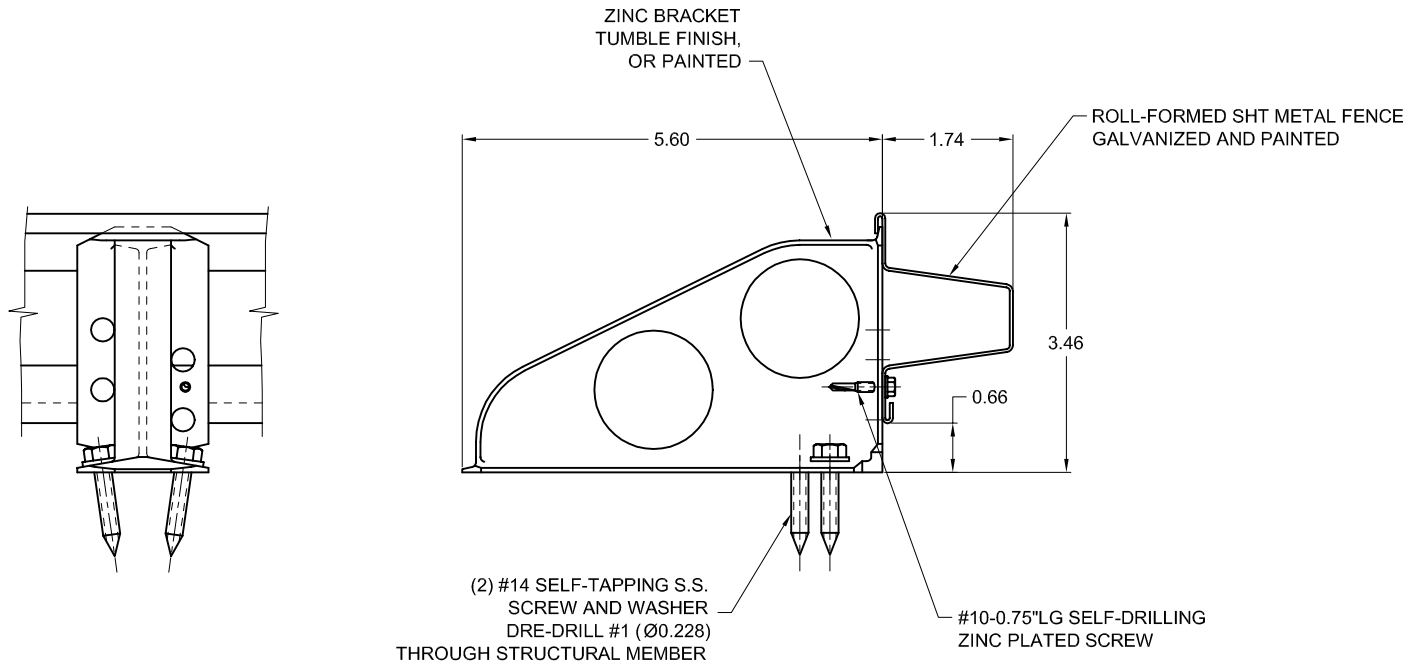


BRACKET SPACING [in]	12	15	18	20	22	24	26	28	30	32	36	42	48
LOAD CAPACITY [lb]	1733	1387	1156	1040	945	867	800	743	693	650	578	495	433



SNOSTOP SMA

Roofers World Inc.

“USA Patent No. 6,453,623 . Other Patents Pending”

DRWN BY J. KRUPKA	DATE 1 FEB 2002	<i>SNOSTOP</i>		
APPD BY	TITLE			
SIGNATURE	DATE	TITLE SMA SINGLE FENCE PENETRATING SYSTEM		
STANDARD	MATERIAL			
UNLESS OTHERWISE SPECIFIED, ALL DIMENSIONS ARE IN INCHES.		SIZE A	DWG NO. M0263	ISSUE A
DECIMALS .X ± .XX ± .XXX ±	ANGLES ±	HOLES ±	SCALE NTS	JOB REF. - SHEET 1/1

