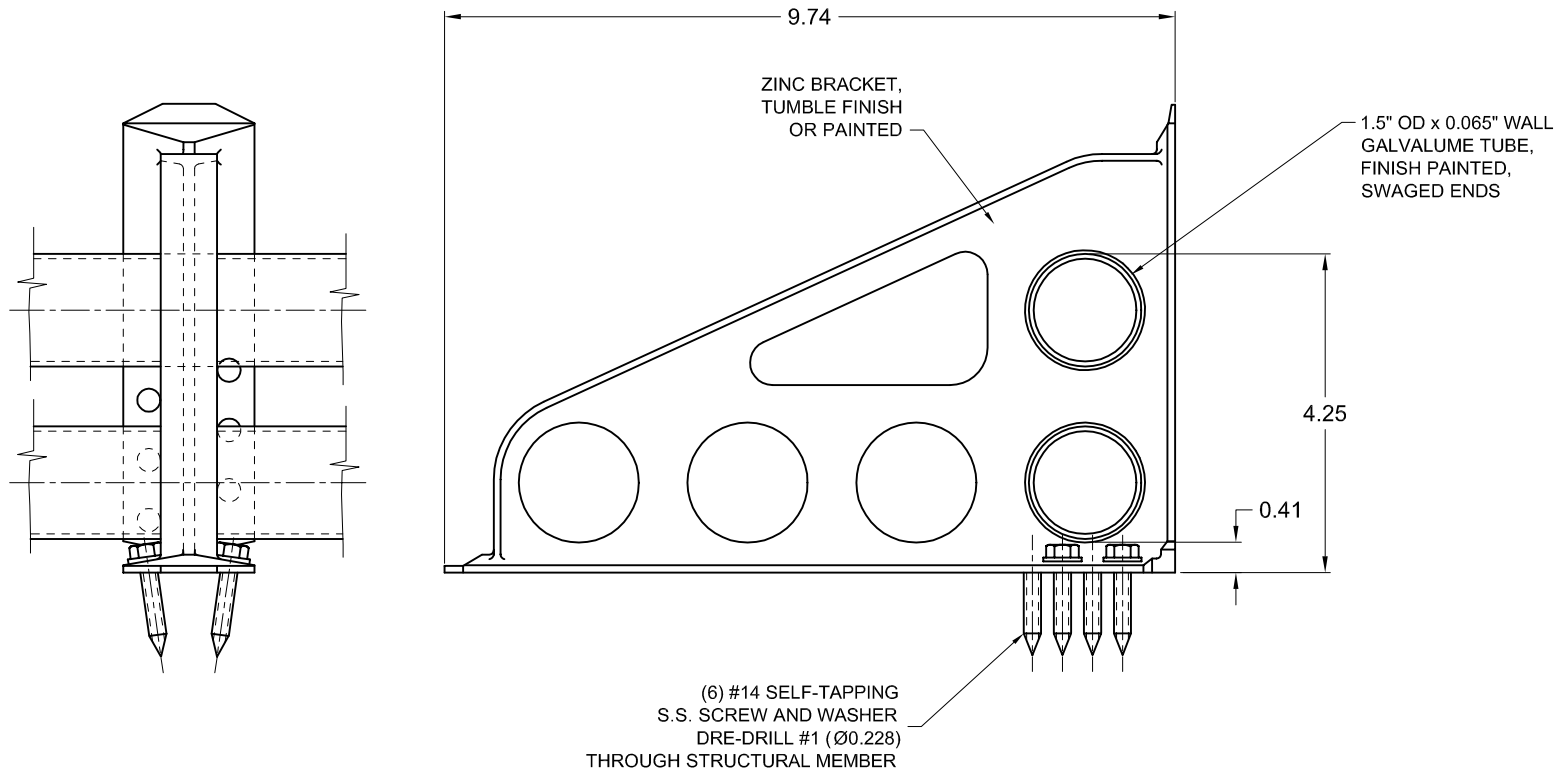


BRACKET SPACING [in]	12	15	18	20	22	24	26	28	30	32	36	42	48
LOAD CAPACITY [lb]	2424	1940	1616	1454	1322	1212	1120	1038	970	908	808	692	606



SNOSTOP LGA-2T

Roofers World Inc.

"USA Patent No. 6,453,623 . Other Patents Pending"

DRWN BY J. KRUPKA	DATE 1 FEB 2002	<i>SNOSTOP</i>	
APPD BY	TITLE		
SIGNATURE	DATE	TITLE LGA-2T DOUBLE TUBE PENETRATING SYSTEM	
STANDARD	MATERIAL		
UNLESS OTHERWISE SPECIFIED, ALL DIMENSIONS ARE IN INCHES.			
DECIMALS .X ± .XX ± .XXX ±	ANGLES ±	HOLES ±	SIZE A
SCALE NTS		DWG NO. M0259	ISSUE A
		JOB REF. -	SHEET 1/1

