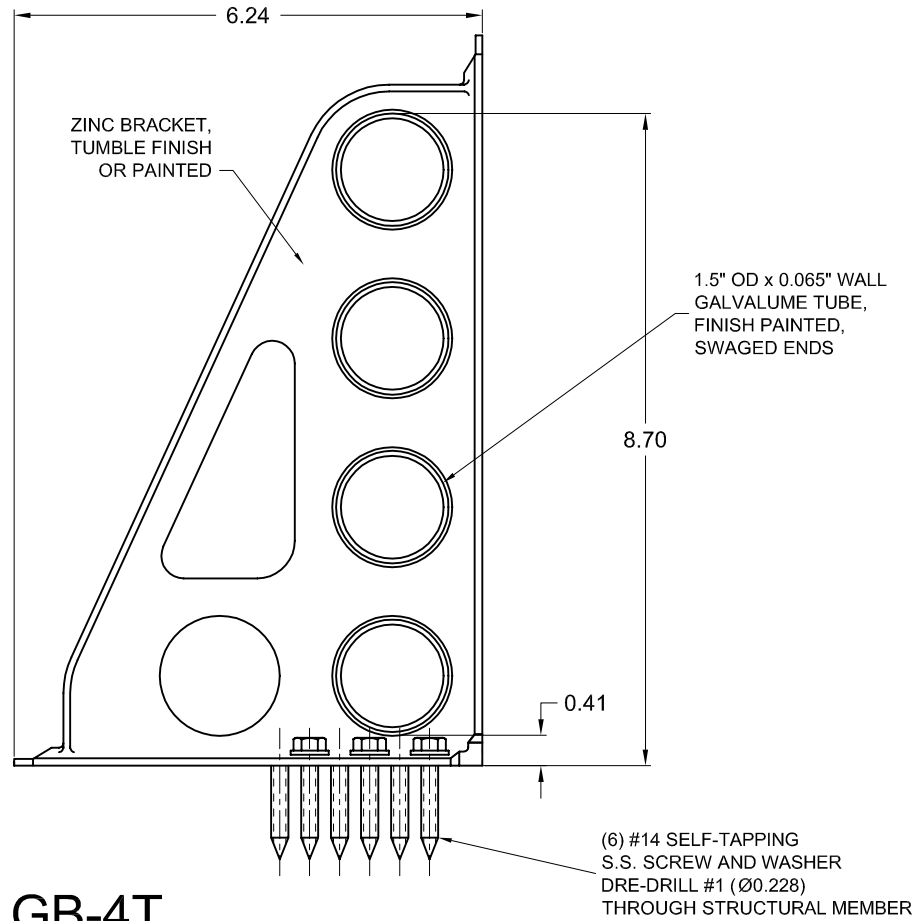
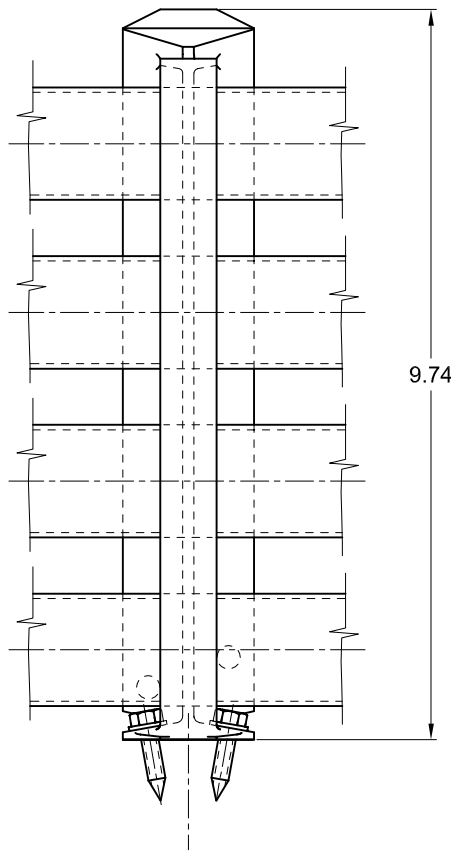


BRACKET SPACING [in]	12	15	18	20	22	24	26	28	30	32	36	42	48
LOAD CAPACITY [lb]	2950	2950	2950	2908	2644	2424	2240	2076	1940	1816	1616	1384	1212



## SNOSTOP LGB-4T

Roofers World Inc.

“USA Patent No. 6,453,623 . Other Patents Pending”

DRWN BY J. KRUPKA	DATE 1 FEB 2002	<b><i>SNOSTOP</i></b>		
APPD BY	TITLE			
SIGNATURE	DATE	TITLE LGB-4T		
STANDARD	MATERIAL	QUADRUPLE TUBE PENETRATING SYSTEM		
UNLESS OTHERWISE SPECIFIED, ALL DIMENSIONS ARE IN INCHES.		SIZE A	DWG NO. M0257	ISSUE A
DECIMALS .X ± .XX ± .XXX ±	ANGLES ±	HOLES ±	SCALE NTS	JOB REF. - SHEET 1/1

