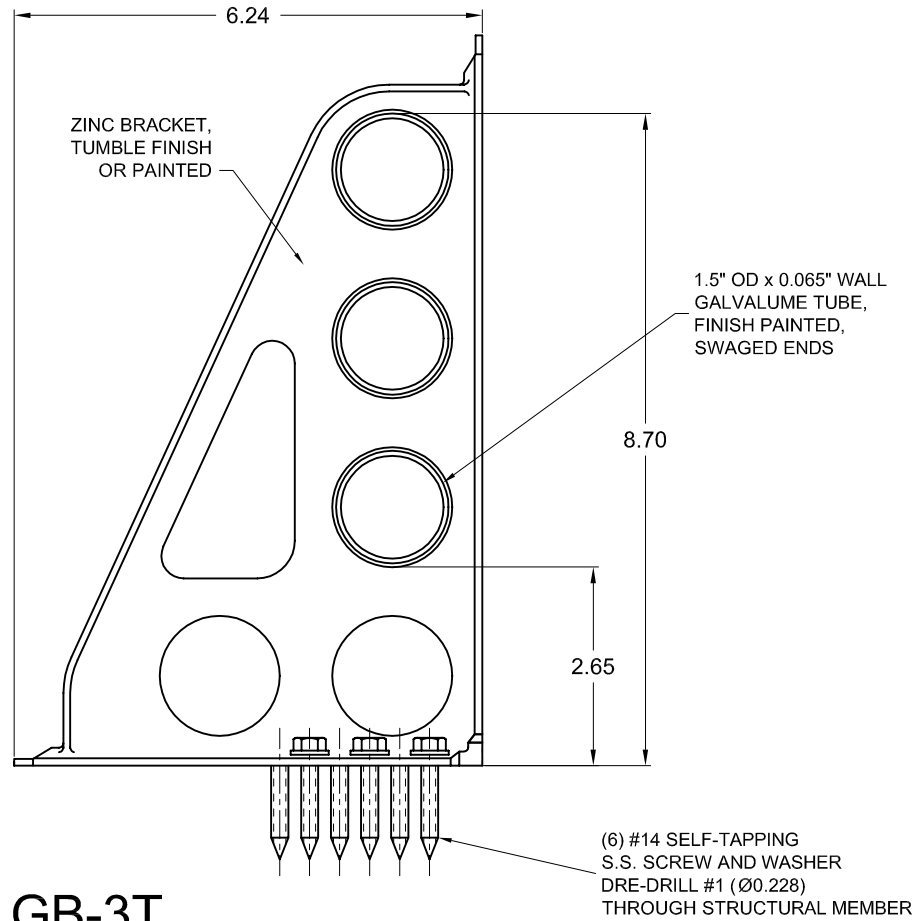
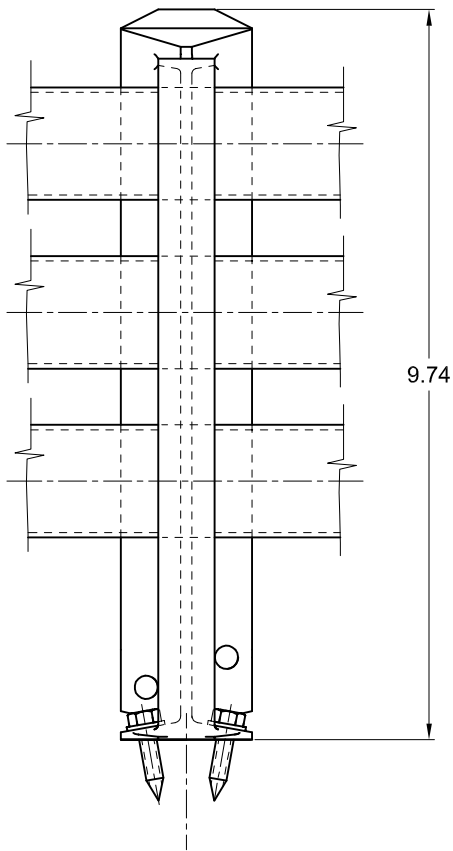


BRACKET SPACING [in]	12	15	18	20	22	24	26	28	30	32	36	42	48
LOAD CAPACITY [lb]	2950	2910	2424	2181	1983	1818	1680	1557	1455	1362	1212	1038	909



SNOSTOP LGB-3T

Roofers World Inc.

“USA Patent No. 6,453,623 . Other Patents Pending”

DRWN BY J. KRUPKA	DATE 1 FEB 2002	SNOSTOP		
APPD BY	TITLE			
SIGNATURE	DATE	LGB-3T TRIPLE TUBE PENETRATING SYSTEM		
STANDARD	MATERIAL			
UNLESS OTHERWISE SPECIFIED, ALL DIMENSIONS ARE IN INCHES.		SIZE A	DWG NO. M0256	ISSUE A
DECIMALS .X ± .XX ± .XXX ±	ANGLES ±	HOLES ±	SCALE NTS	JOB REF. -
			SHEET	1/1

