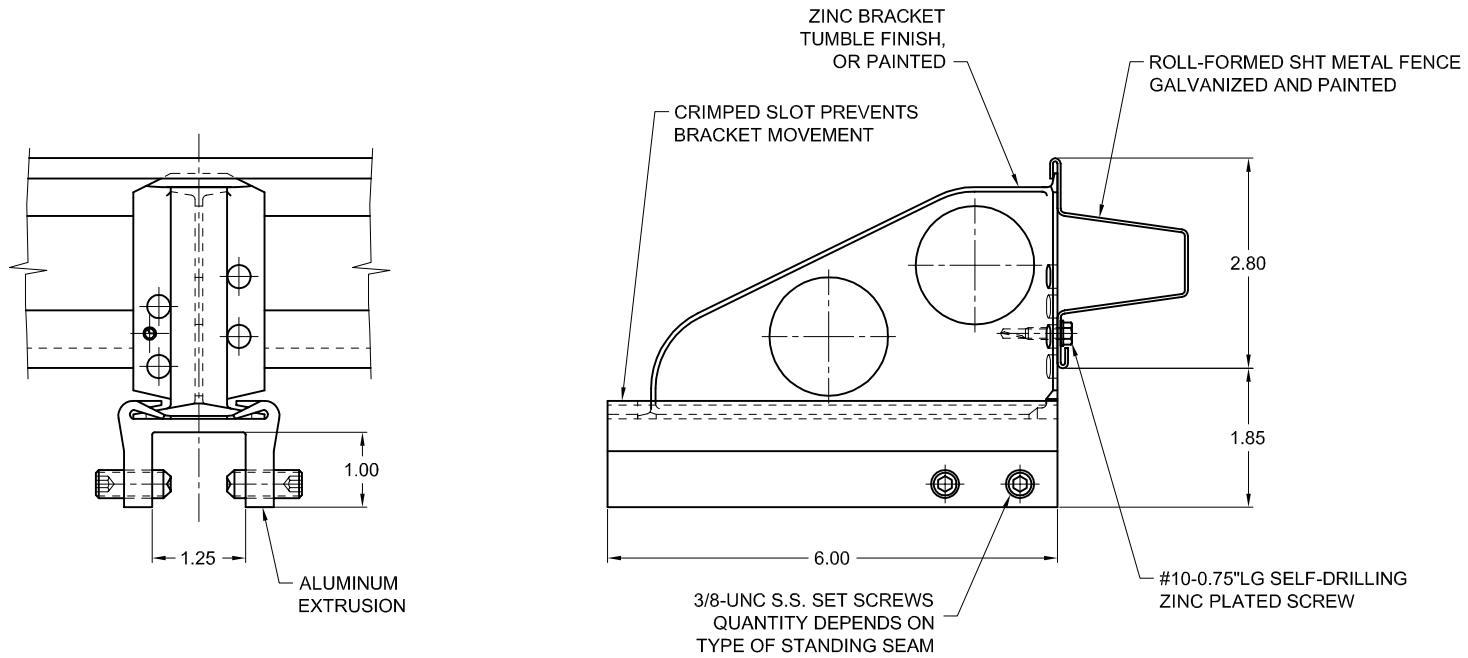


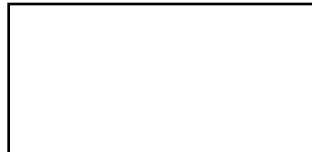
BRACKET SPACING [in]	12	15	18	20	22	24	26	28	30	32	36	42	48
LOAD CAPACITY [lb]	1733	1387	1156	1040	945	867	800	743	693	650	578	495	433
NO. OF SET SCR. PAIRS	3	2	2	2	2	1	1	1	1	1	1	1	1



SNOSTOP SMA-SS

Roofers World Inc.

“USA Patent No. 6,453,623 . Other Patents Pending”



DRWN BY J. KRUPKA	DATE 1 FEB 2002	<i>SNOSTOP</i>	
APPD BY	TITLE		
SIGNATURE	DATE	TITLE SMA-SS SINGLE FENCE NON-PENETRATING SYSTEM	
STANDARD	MATERIAL		
UNLESS OTHERWISE SPECIFIED, ALL DIMENSIONS ARE IN INCHES.			
DECIMALS .X ± .XX ± .XXX ±	ANGLES ±	HOLES ±	SIZE A
SCALE NTS		DWG NO. M0252	ISSUE A
		JOB REF. -	SHEET 1/1