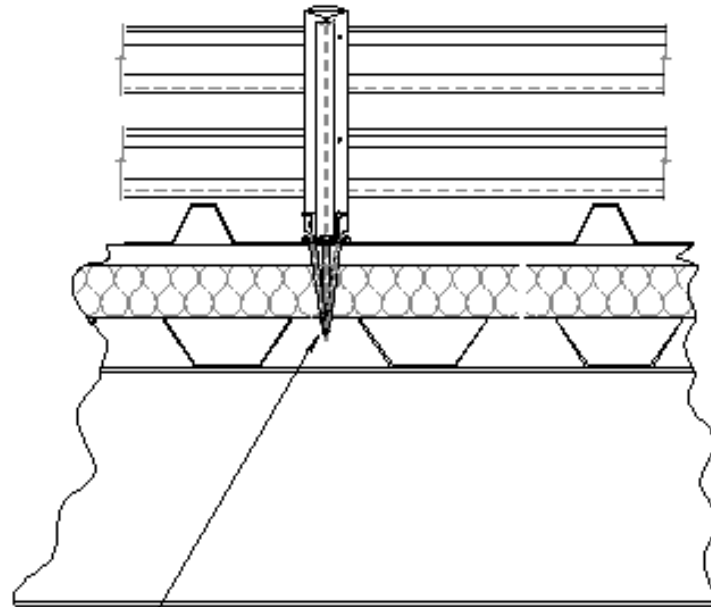


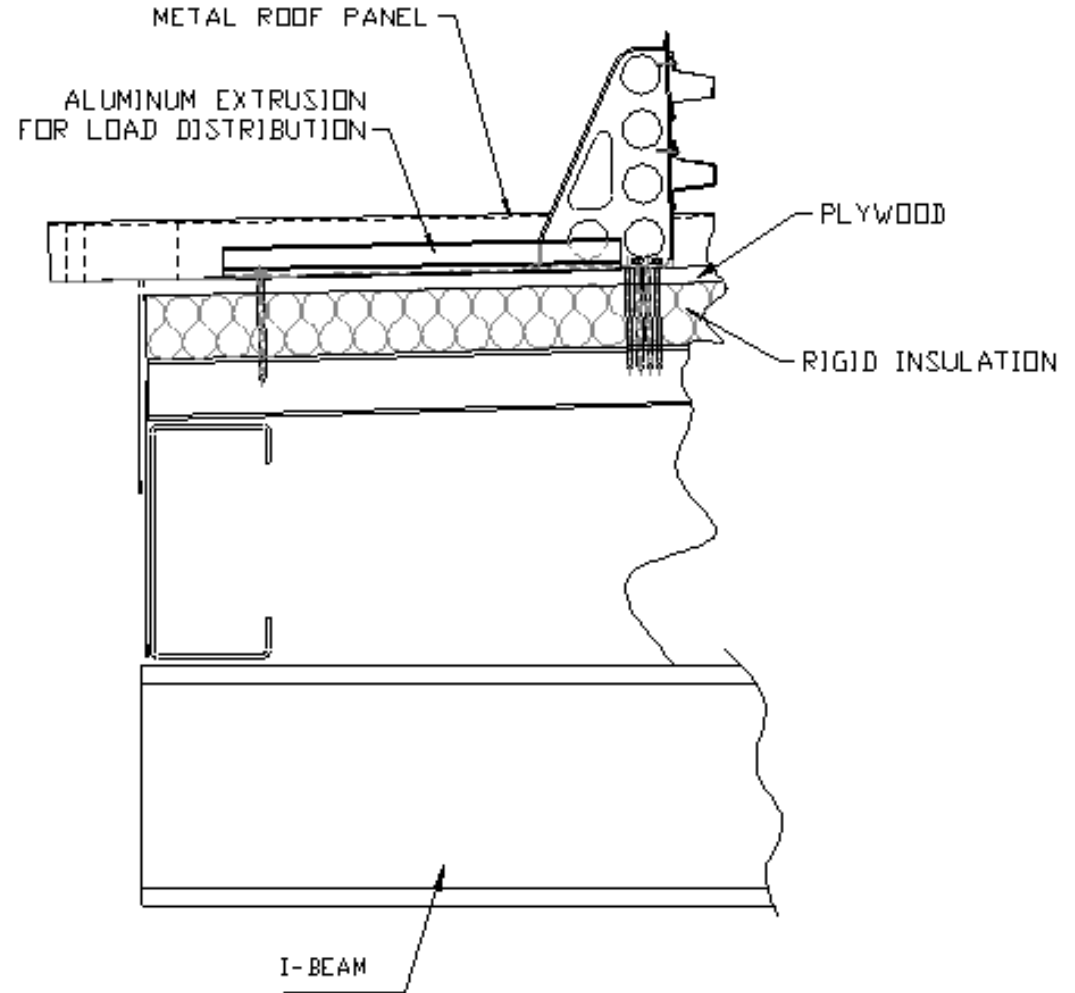
Roofers World Inc.

“USA Patent No. 6,453,623 . Other Patents Pending”

ISSUE		DRWN BY	DATE	APPD BY	DATE	DESCRIPTION



#14 SELF-TAPPING FASTENERS INTO STEEL PAN DECKING



DRWN BY	J KRUPKA	DATE	29 ICP 00
APPD BY		TITLE	
SIGNATURE		DATE	
STANDARD		MATERIAL	
UNLESS OTHERWISE SPECIFIED, ALL DIMENSIONS ARE IN INCHES.			
DECIMALS	ANGLES	HOLE	
1/16 ±	±	±	
1/32 ±	±	±	
1/64 ±	±	±	



INSULATION - PAN DECKING
INSTALLATION DETAIL

SIZE	DWG NO	ISSUE
A	M0207	A
SCALE	JOB REF.	SHEET
NTS		1/1