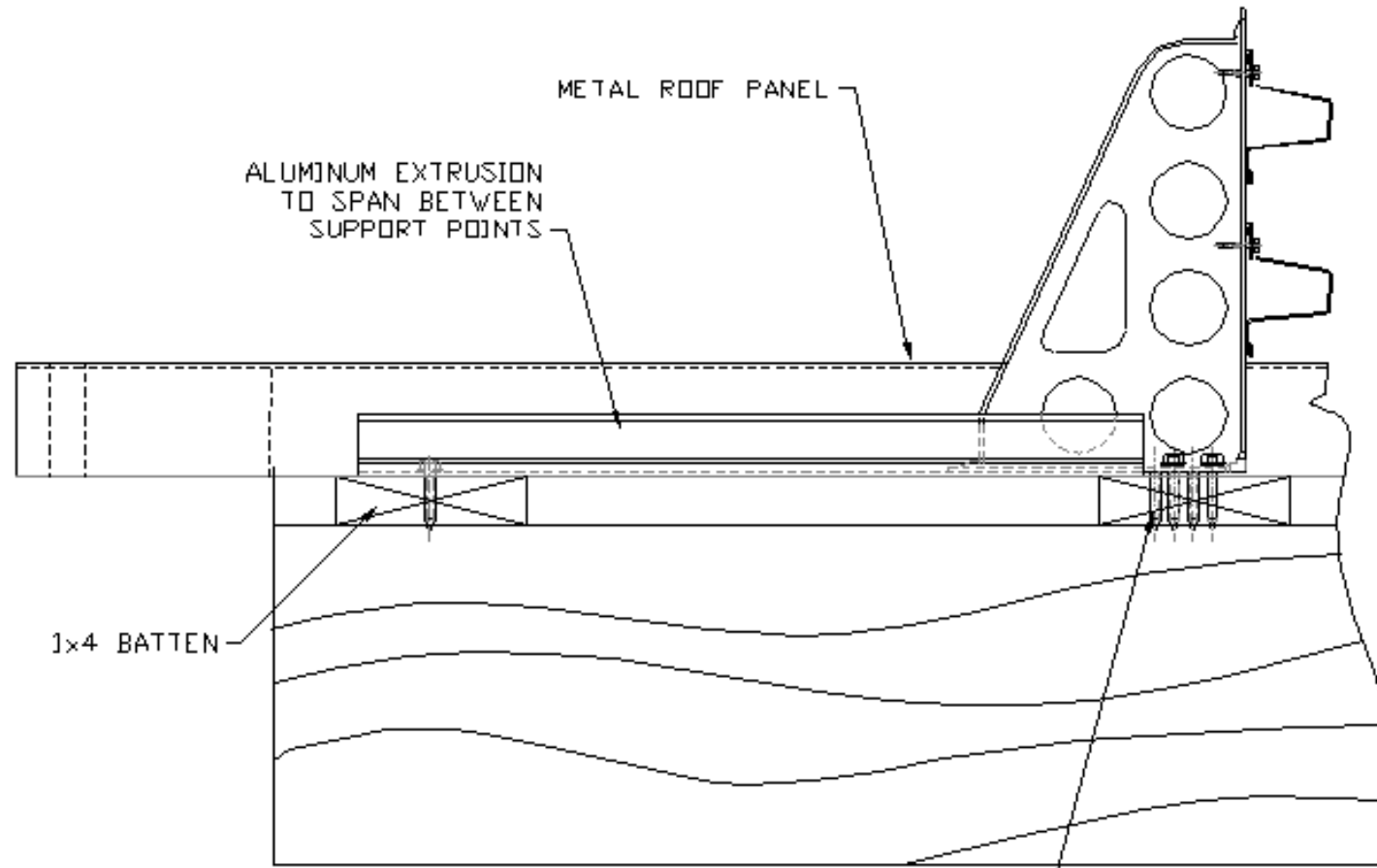
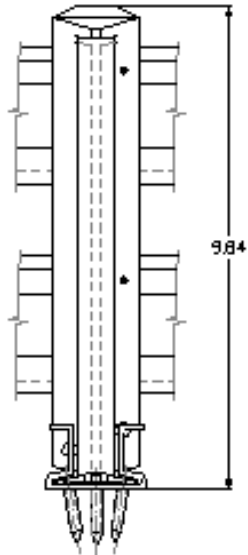


Roofers World Inc.

"USA Patent No. 6,453,623 . Other Patents Pending"

ISSUE	DRWN BY	DATE	APPD BY	DATE	DESCRIPTION



#14 SELF-TAPPING SCREWS



DRWN BY	J. KRUPKA	DATE	29 SEP 00
APPD BY		TITLE	
SIGNATURE		DATE	
STANDARD		MATERIAL	
UNLESS OTHERWISE SPECIFIED, ALL DIMENSIONS ARE IN INCHES.			
DECIMALS	ANGLES	HOLLS	
X ±	±	±	
YY ±			
YYY ±			

BATTEN SYSTEM INSTALLATION DETAIL			
SIZE	DWG NO	ISSUE	
A	M0206	A	
SCALE	JOB REF.	SHEET	1/1
NTS			