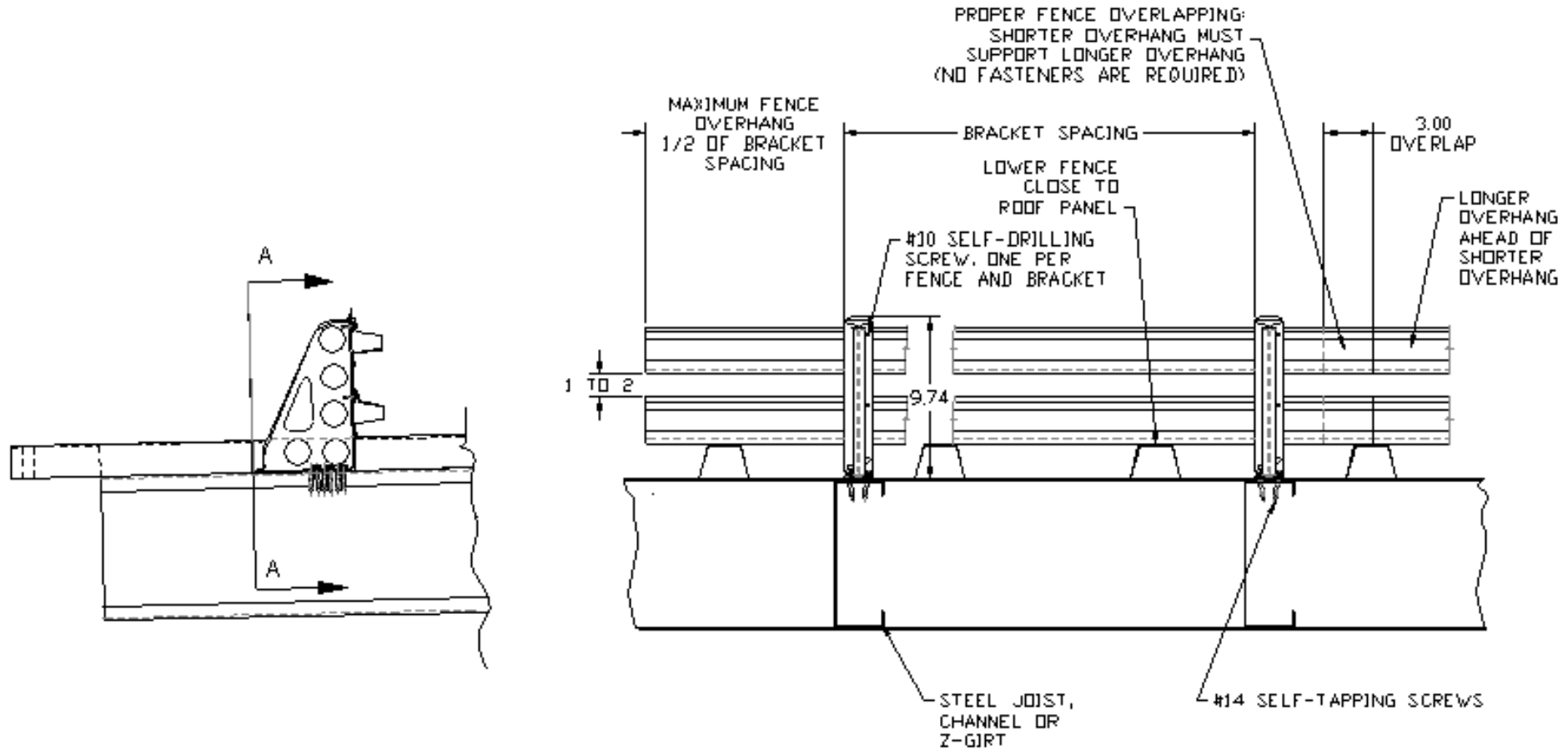


Roofers World Inc.

ISSUE	DRWN BY	DATE	APPD BY	DATE	DESCRIPTION



SECTION A-A



DRWN BY	J. KRUPKA	DATE	09 SEP 00
APPD BY		TITLE	
SIGNATURE		DATE	
STANDARD		MATERIAL	
UNLESS OTHERWISE SPECIFIED, ALL DIMENSIONS ARE IN INCHES.			
DECIMALS	ANGLES	HOLLS	
1/100 ±	±	±	
1/1000 ±			

TITLE			
VERTICAL "C" OR "Z" STRUCTURAL SUPPORT TYPICAL INSTALLATION			
SIZE	DWG NO	ISSUE	
A	M0202	A	
SCALE	JOB REF	SHEET	1/1
NTS			