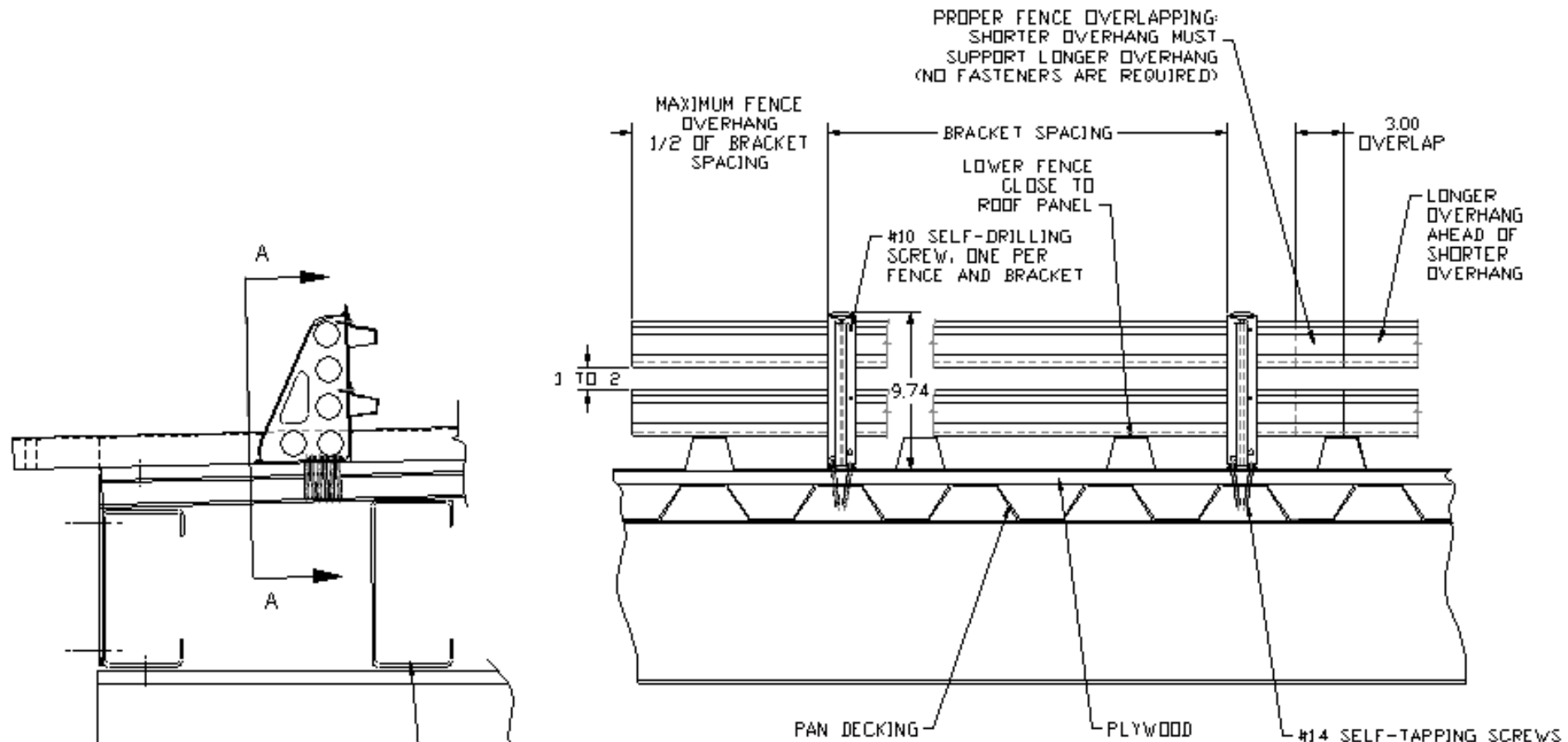


Roofers World Inc.

3		4	
ISSUE	DRWN BY	DATE	DESCRIPTION



SECTION A-A

1-BEAM
CHANNEL OR Z-GIRT

DRWN BY	J. KRUPKA	DATE	29 SEP 00
APPD BY		TITLE	
SIGNATURE		DATE	
STANDARD		MATERIAL	
UNLESS OTHERWISE SPECIFIED, ALL DIMENSIONS ARE IN INCHES.			
	DECIMALS	ANGLES	HOLES
✓	±	±	±
✓	✓	✓	✓
✓	✓	✓	✓



TITLE PLYWOOD AND PAN DECKING WITH HORIZONTAL "C" OR "Z" STRUCTURAL SUPPORT			
SIZE	DWG NO	M0201	ISSUE
A			A
SCALE	NTS	JOB REF	SHEET
			1/1