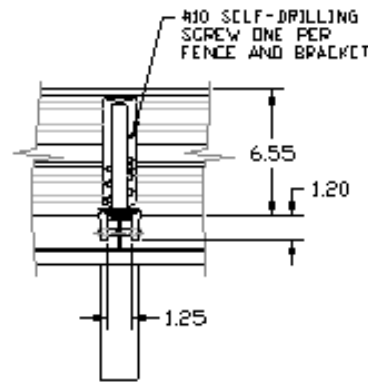
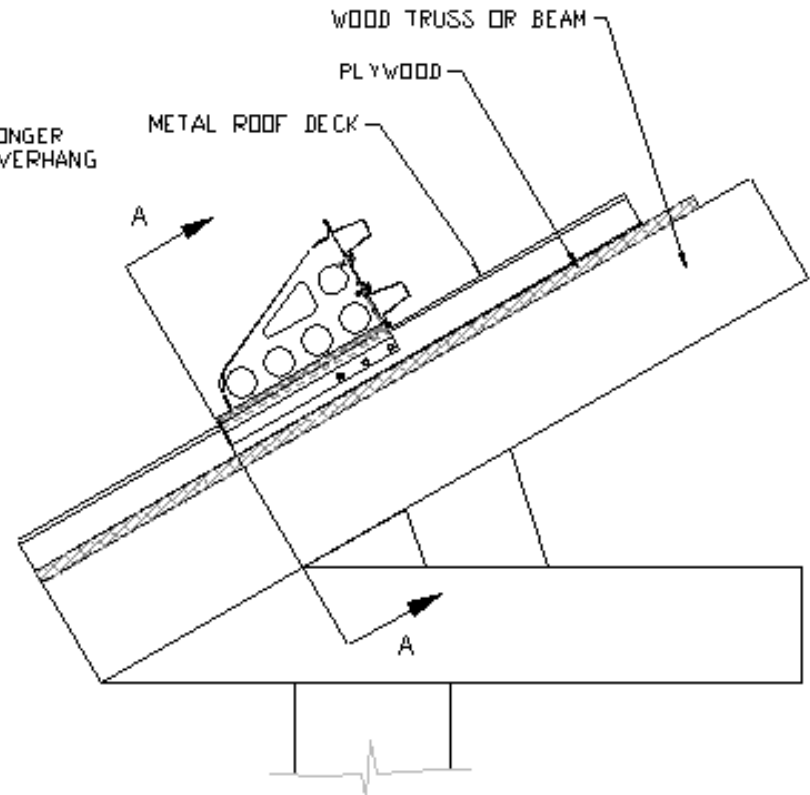
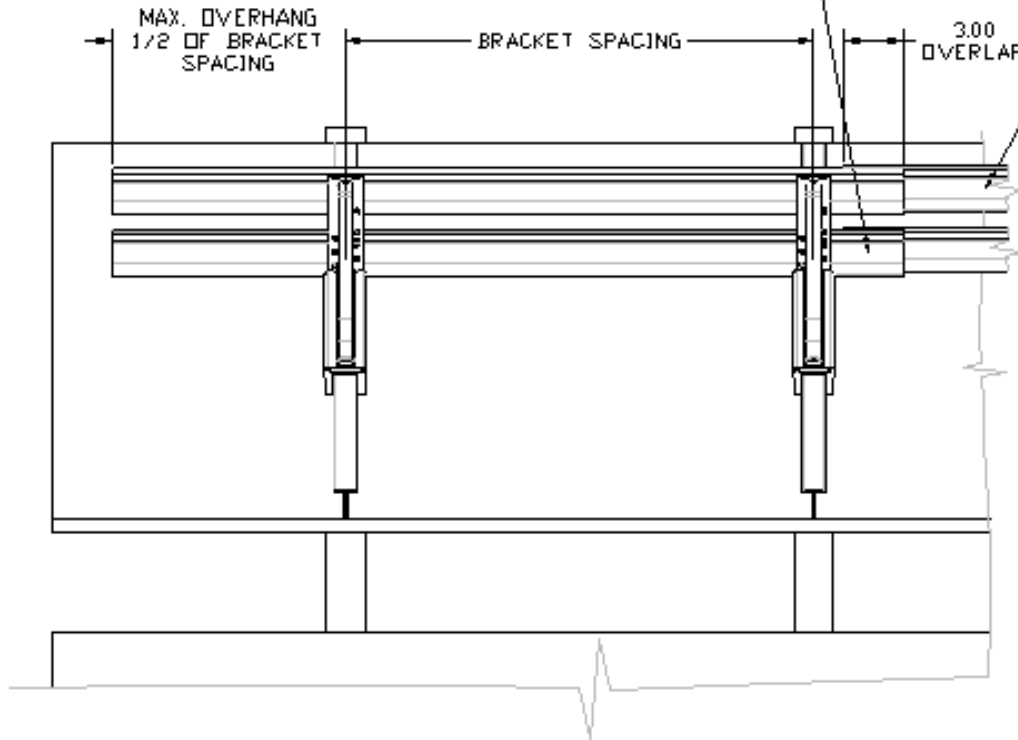


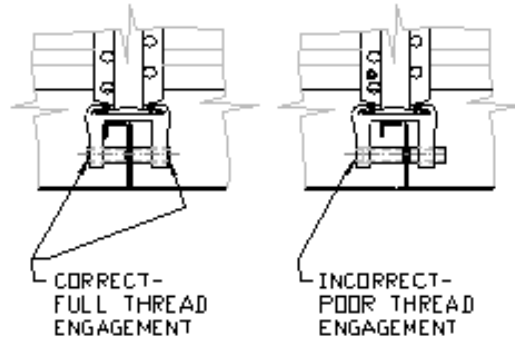
Roofers World Inc.

PROPER FENCE OVERLAPPING:
SHORTER OVERHANG MUST
SUPPORT LONGER OVERHANG
(NO FASTENERS ARE REQUIRED)

3		4	
ISSUE	DRWN BY	DATE	DESCRIPTION



SECTION A-A



DRWN BY	J. KRUPKA	DATE	29 SEP 00
APPD BY		TITLE	
SIGNATURE		DATE	
STANDARD		INTERNAL	
UNLESS OTHERWISE SPECIFIED, ALL DIMENSIONS ARE IN INCHES.			
DECIMALS	ANGLES	HOLES	
v ±	±	±	
.vv ±			
vvv ±			



TITLE			
LARGE STANDING SEAM SYSTEM (ON A WOOD TRUSS ROOF)			
SIZE	DWG NO.	ISSUE	
A	M0198	A	
SCALE	JOB REF.	SHEET	
NTS		1/1	

“USA Patent No. 6,453,623 . Other Patents Pending”