

# PROTECTIVE ROOFING PRODUCTS.

- PR-100 Safety Roof Rail
- PR-600 Mobile Fall Protection System

## **Steep Sloped Roofs**

- PR-20 Eave Catchguard
- PR-2000 Safety Work Platform

## **Transformer Protection**

### **Transformers, Breakers and Bridges**

- PR-300 Adhesive Guardrail
- PR-400 Temporary Hitching Post
- PR-500 Adhesive Hitching Post







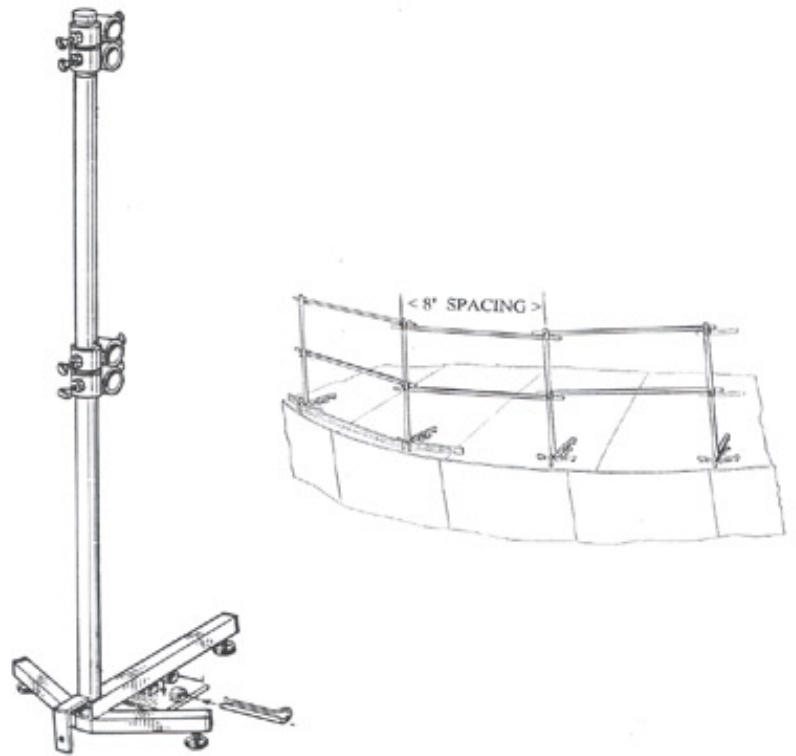
**Model: PR-300**

**Name: Adhesive Guardrail**

The PR-300 Adhesive Guardrail was designed to provide a practical solution for edge protection while working on transformers.

**Product Features:**

- Meets and exceeds O.S.H.A. and W.C.B. requirements
- Provides unobstructed access to the roof edge
- Light weight and rugged
- Easy to install and tested to provide maximum safety



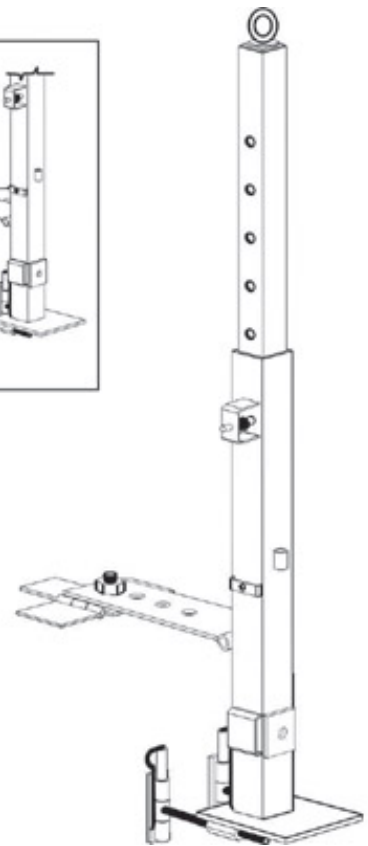
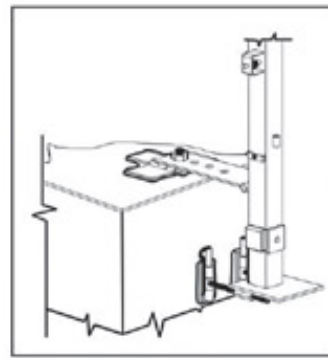
**Model: PR-400**

**Name: Temporary Hitching Post**

The PR-400 Adhesive Hitching Post was designed to be used as a telescoping fall arrest attachment for lanyards while working on substation breakers.

**Product Features:**

- Meets and exceeds O.S.H.A. and W.C.B. requirements
- Provides unobstructed access to the roof edge
- Light weight and rugged
- Easy to install and tested to provide maximum safety



**Model: PR-500**

**Name: Adhesive Hitching Post**

The PR-500 Adhesive Hitching Post is an adhesive anchorage system that was designed to be used on transformers. This unique fall protection system can be used on the metal surface without having to be welded or bolted. This system has been designed with a unique patented leverage action that creates a tension force on the anchor pads, this allowing the anchor pads to be installed with a strong adhesive (Loctite Depend 330). The integrity of the system can be tested easily before use with our field tester, The PR-500 Pull Tester. Once the adhesive mounting brackets (anchor pads) are installed they can be left in place for future use, and then simply tested again before the Hitching Post assembly is attached for use again. The PR 500 Hitching Post assembly consists of a base complete with three legs, three anchor pads and a square vertical post with a rotational eye bolt at the top. It is easy to install and dismantle by one person creating a safe working area that allows up to three workers to be tied off at the same time to one unit and work safely without any worry of injury from falling.

### Product Features:

- Professionally tested, engineered to meet and exceed all US Federal O.S.H.A. standards
- Can be used on metal surfaces without having to be welded or bolted.
- Allows three workers to be tied off at the same time, to the same unit.

