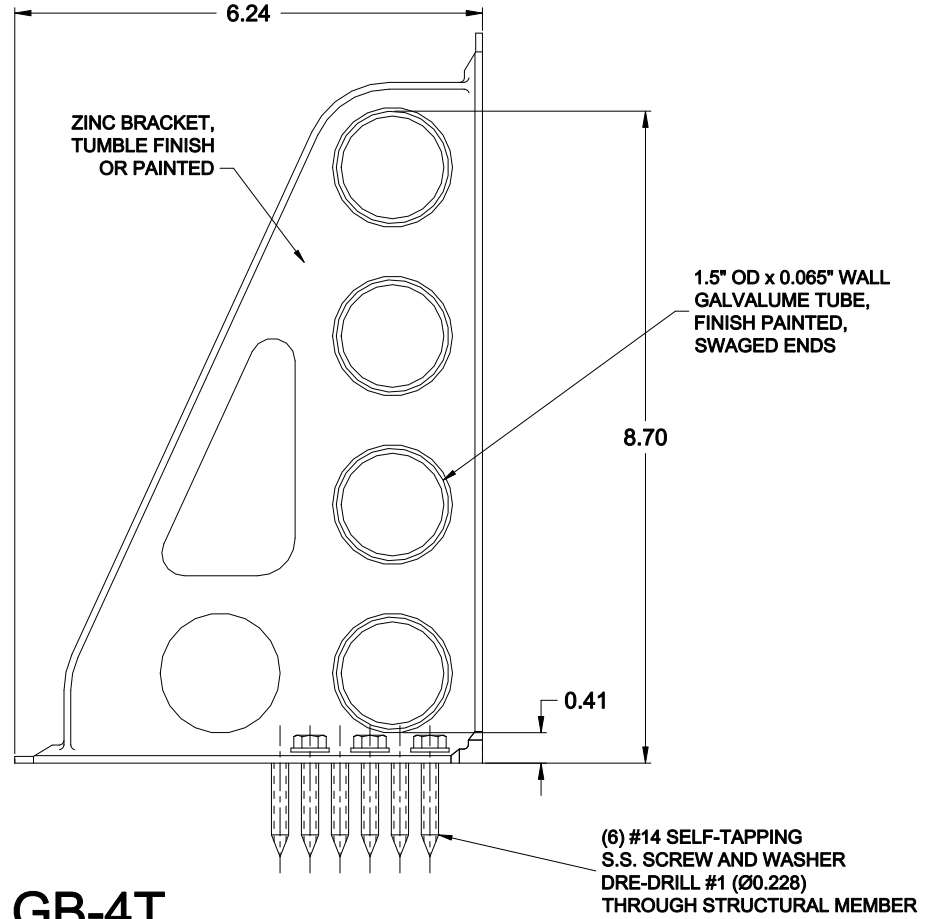
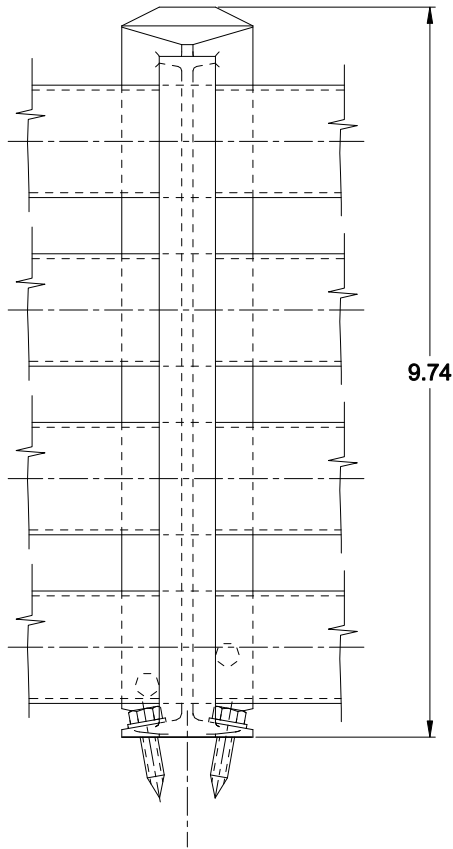


BRACKET SPACING [in]	12	15	18	20	22	24	26	28	30	32	36	42	48
LOAD CAPACITY [lb]	2950	2950	2950	2908	2644	2424	2240	2076	1940	1816	1616	1384	1212



## SNOSTOP LGB-4T

DRWN BY	<b>J. KRUPKA</b>	DATE	<b>1 FEB 2002</b>
APPD BY		TITLE	
SIGNATURE		DATE	
STANDARD		MATERIAL	

**SNOSTOP** A DIVISION OF  
ROOFERS WORLD INC.

**LGB-4T**  
**QUADRUPLE TUBE PENETRATING SYSTEM**

THIS DRAWING IS THE PROPERTY OF ROOFERS ANNEX INC. AND IS SUBMITTED FOR CONSIDERATION ON THE UNDERSTANDING THAT THERE SHALL BE NO EXPLOITATION OF ANY INFORMATION HEREIN EXCEPT WITH THE SPECIFIC WRITTEN CONSENT OF ROOFERS ANNEX INC.

UNLESS OTHERWISE SPECIFIED, ALL DIMENSIONS ARE IN INCHES.

DECIMALS	ANGLES	HOLES
.X ±		
.XX ±	±	±
.XXX ±		

SIZE	<b>A</b>	DWG NO.	<b>M0257</b>	ISSUE	<b>A</b>
SCALE	<b>NTS</b>	JOB REF.	-	SHEET	<b>1/1</b>