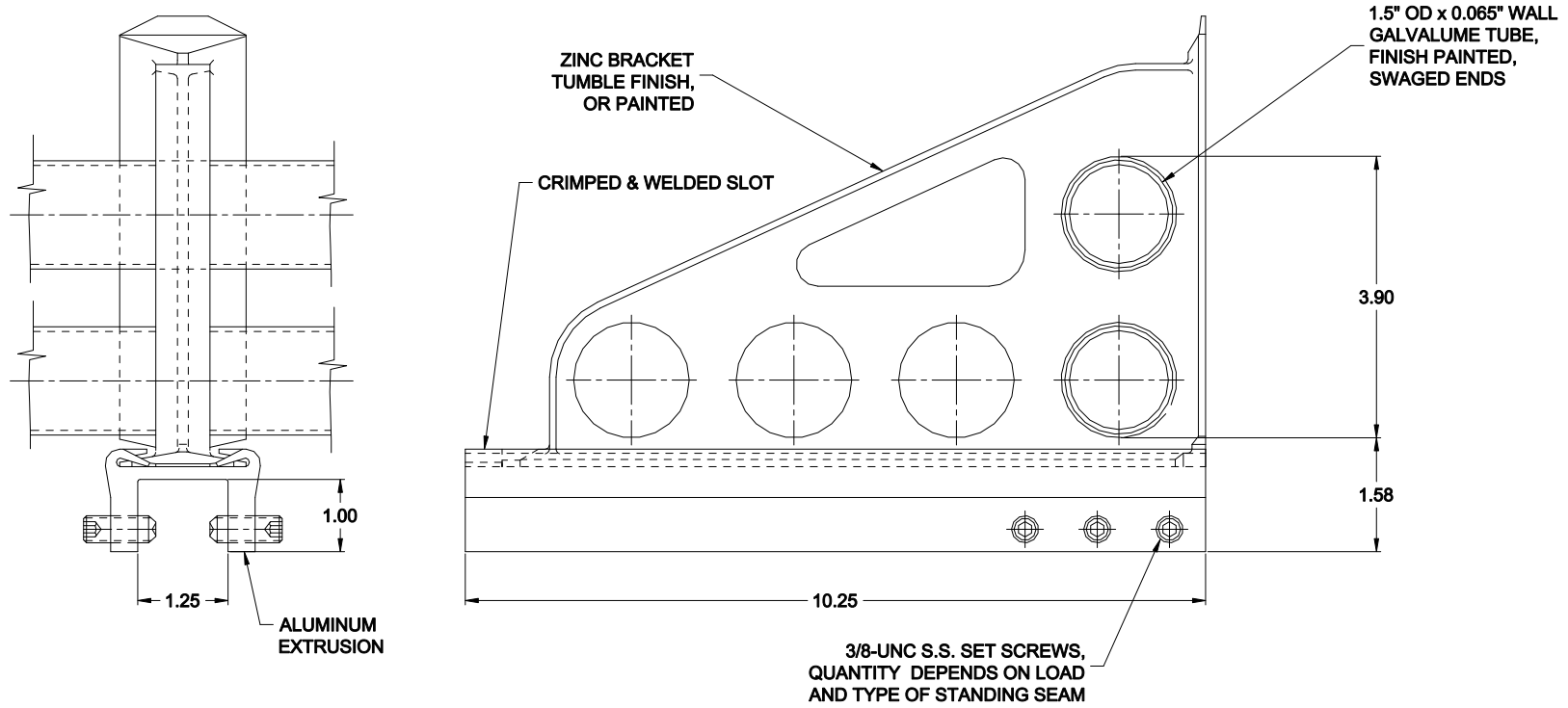


BRACKET SPACING [in]	12	15	18	20	22	24	26	28	30	32	36	42	48
LOAD CAPACITY [lb]	2424	1940	1616	1454	1322	1212	1120	1038	970	908	808	692	606
NO. OF SET SCR. PAIRS	3	3	2	2	2	2	2	2	2	1	1	1	1



SNOSTOP LGA-SS-2T

DRWN BY J. KRUPKA	DATE 1 FEB 2002
APPD BY	TITLE
SIGNATURE	DATE
STANDARD	MATERIAL

<i>SNOSTOP</i> A DIVISION OF ROOFERS WORLD INC.		
		LGA-SS-2T DOUBLE TUBE NON-PENETRATING SYSTEM
SIZE A	DWG NO. M0260	ISSUE A
SCALE NTS	JOB REF. -	SHEET 1/1

THIS DRAWING IS THE PROPERTY OF ROOFERS ANNEX INC. AND IS SUBMITTED FOR CONSIDERATION ON THE UNDERSTANDING THAT THERE SHALL BE NO EXPLOITATION OF ANY INFORMATION HEREIN EXCEPT WITH THE SPECIFIC WRITTEN CONSENT OF ROOFERS ANNEX INC.

UNLESS OTHERWISE SPECIFIED, ALL DIMENSIONS ARE IN INCHES.

DECIMALS	ANGLES	HOLES
.X ±	±	±
.XX ±		
.XXX ±		