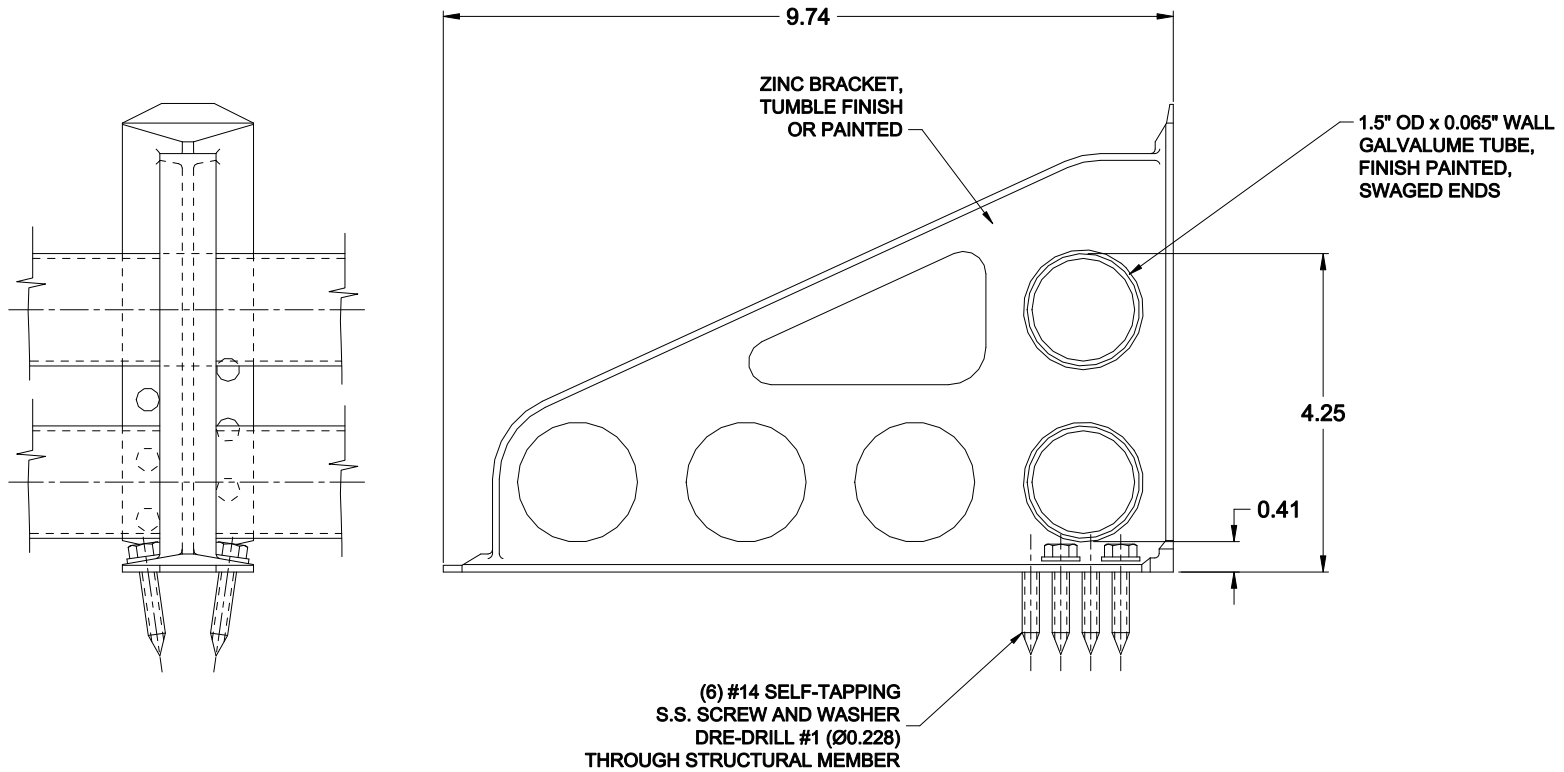


BRACKET SPACING [in]	12	15	18	20	22	24	26	28	30	32	36	42	48
LOAD CAPACITY [lb]	2424	1940	1616	1454	1322	1212	1120	1038	970	908	808	692	606



SNOSTOP LGA-2T

DRWN BY J. KRUPKA	DATE 1 FEB 2002	<i>SNOSTOP</i> A DIVISION OF ROOFERS WORLD INC. LGA-2T DOUBLE TUBE PENETRATING SYSTEM
APPD BY	TITLE	
SIGNATURE	DATE	
STANDARD	MATERIAL	
UNLESS OTHERWISE SPECIFIED, ALL DIMENSIONS ARE IN INCHES. DECIMALS ANGLES HOLES .X ± ± ± .XX ± ± ± .XXX ± ± ±		SIZE A DWG NO. M0259 ISSUE A SCALE NTS JOB REF. - SHEET 1/1

THIS DRAWING IS THE PROPERTY OF ROOFERS ANNEX INC. AND IS SUBMITTED FOR CONSIDERATION ON THE UNDERSTANDING THAT THERE SHALL BE NO EXPLOITATION OF ANY INFORMATION HEREIN EXCEPT WITH THE SPECIFIC WRITTEN CONSENT OF ROOFERS ANNEX INC.